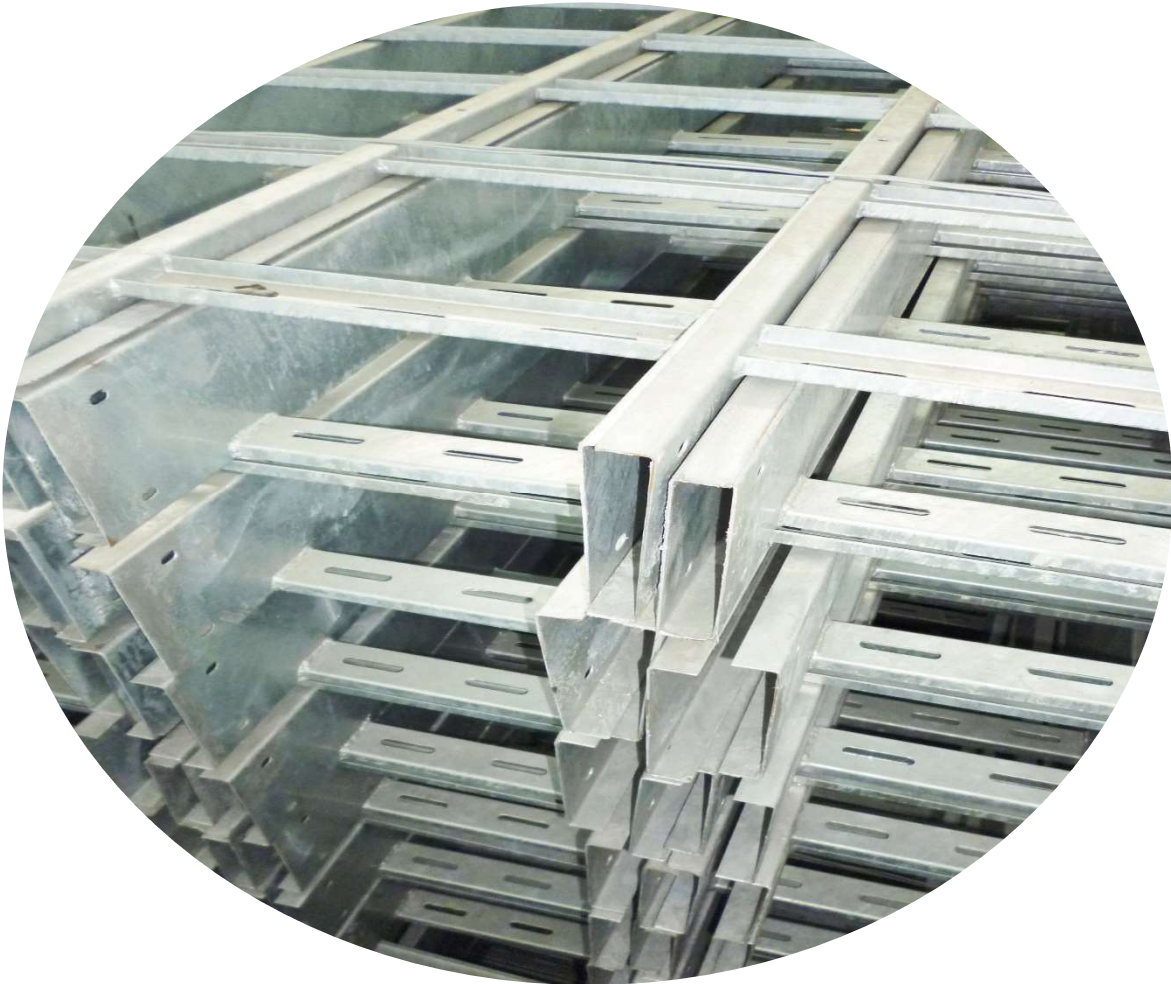


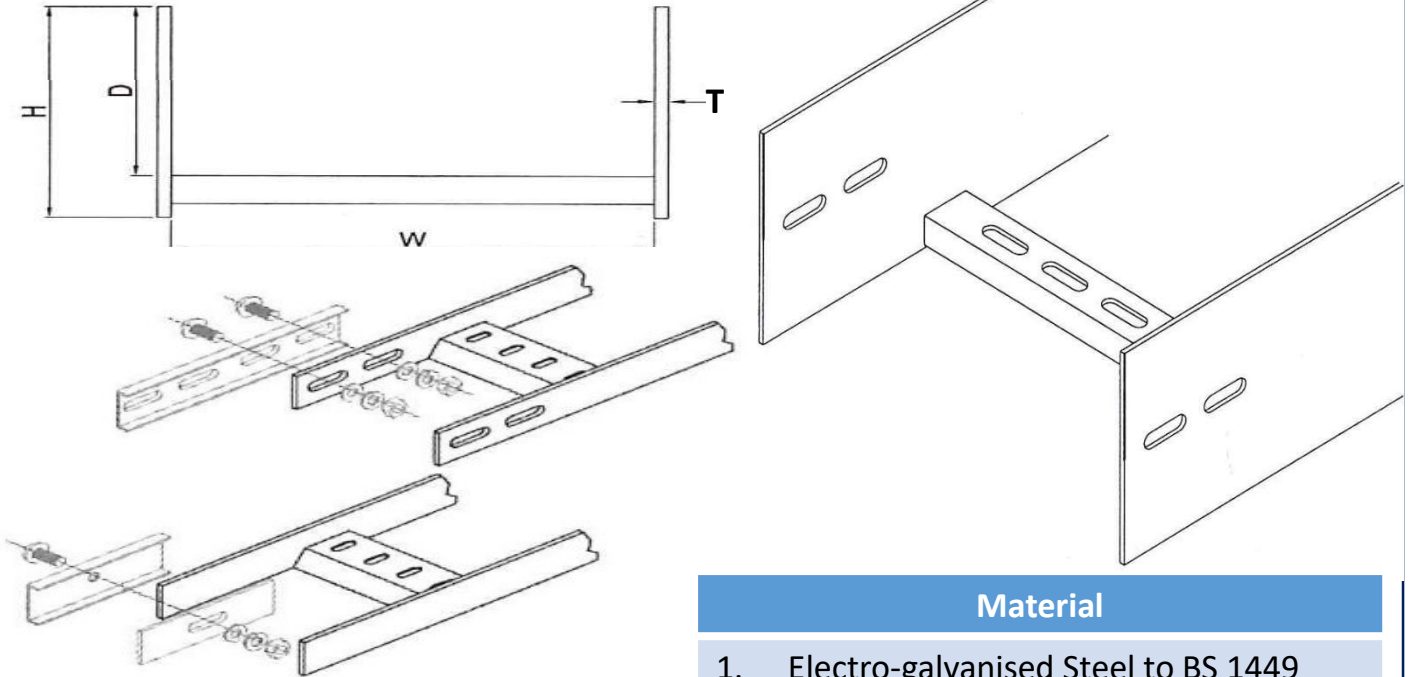
**ST** Unitech Metal Works

**Designs and Manufactures of :**



**Cable Ladder**

## CABLE LADDER (TYPE A)



H	Thickness	Width	Length
38 - 100	3 - 6	150 - 900	2440

\*Units in mm

### Material

1. Electro-galvanised Steel to BS 1449 Part: 1:1983
2. Hot Roll Steel to JISG 3131 SPHC
3. Cold Roll Steel to JIS G3141
4. Stainless Steel AISI 304, 316 or 316L
5. Pre-Galvanised Steel
6. Aluminium

### Finishing

1. Electro-galvanised steel with Epoxy Coatings
2. Hot Roll Steel with Hot-Dipped Galvanising to BS 729 or ASTM A123
3. Hot Roll Steel with Hot-Dipped Galvanising to ASTM A386-73 and Epoxy Coated
4. Hot-Dipped Galvanising to BS EN ISO1461:2009

## RUNG TYPE (CUSTOMIZED)

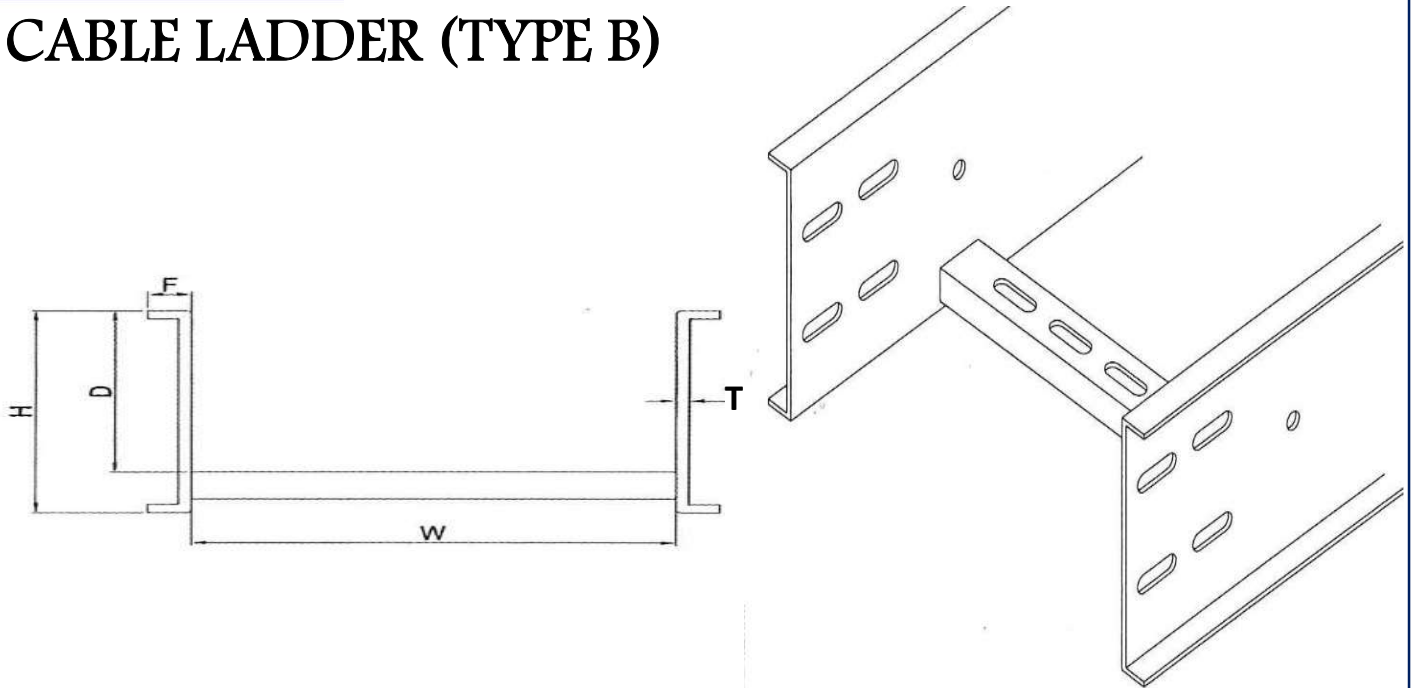
Rung Spacing:  
230 - 300mm

Thickness:  
1.5mm - 2mm

Ladder Height(H)	1	2	3	4	5
Depth (D)	Depth (D)	Depth (D)	Depth (D)	Depth (D)	Depth (D)
38	19	15	21	18	15
50	31	27	33	30	27
75	56	52	58	55	52
100	81	77	83	80	77

**Customized Available, Please contact us for your requirements.**

## CABLE LADDER (TYPE B)



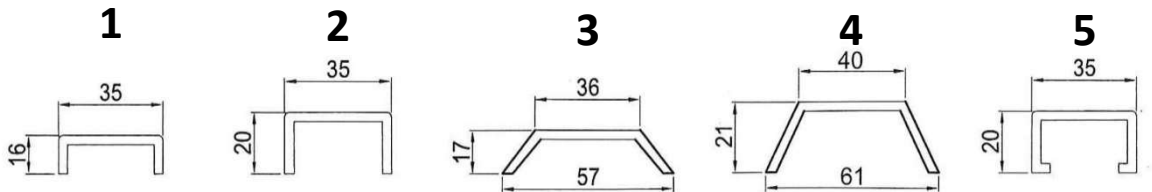
H	Thickness	Width	Length
75 - 150	1.5 - 3	150 - 900	2440

\*Units in mm

## RUNG TYPE (CUSTOMIZED)

Rung Spacing:  
230 - 300mm

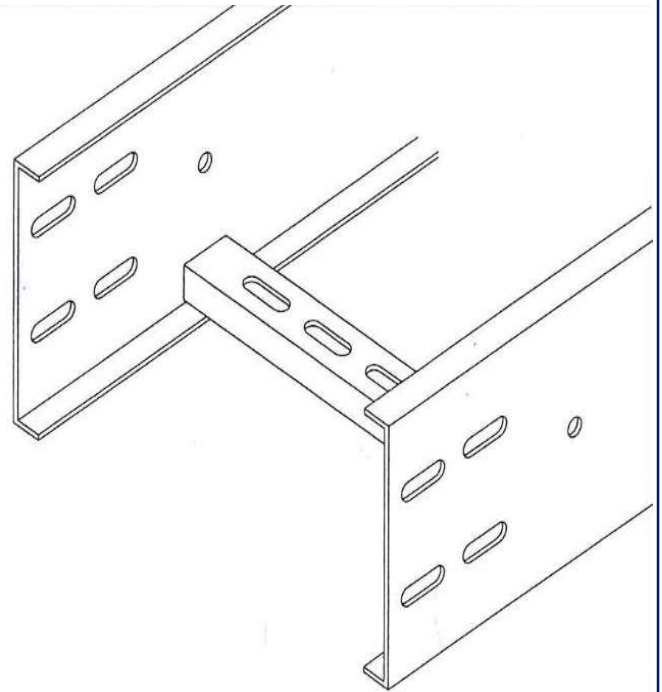
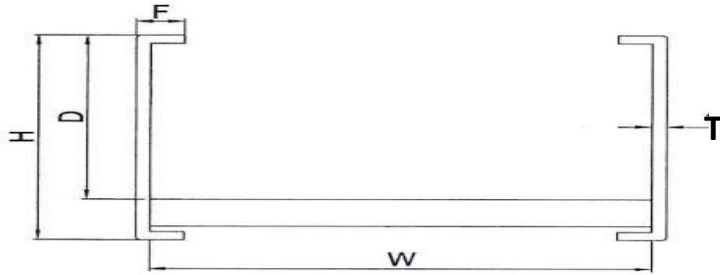
Thickness:  
1.5mm - 2mm



Ladder Height (H)	Depth (D)	Depth (D)	Depth (D)	Depth (D)	Depth (D)
75	54	50	56	53	50
100	79	75	81	78	75
125	104	100	106	103	100
150	129	125	131	128	125

**Customized Available, Please contact us for your requirements.**

### CABLE LADDER (TYPE C)



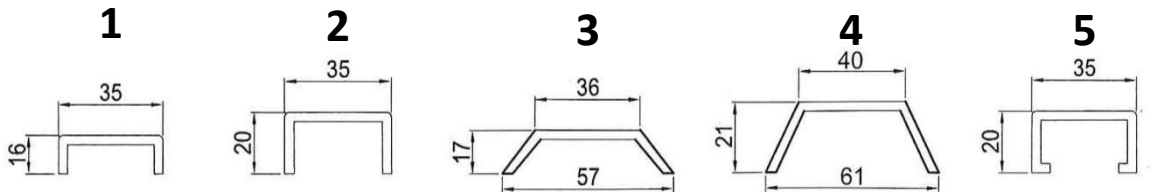
H	Thickness	Width	Length
75 - 150	1.5 - 3	150 - 900	2440

\*Units in mm

### RUNG TYPE (CUSTOMIZED)

Rung Spacing:  
230 – 300mm

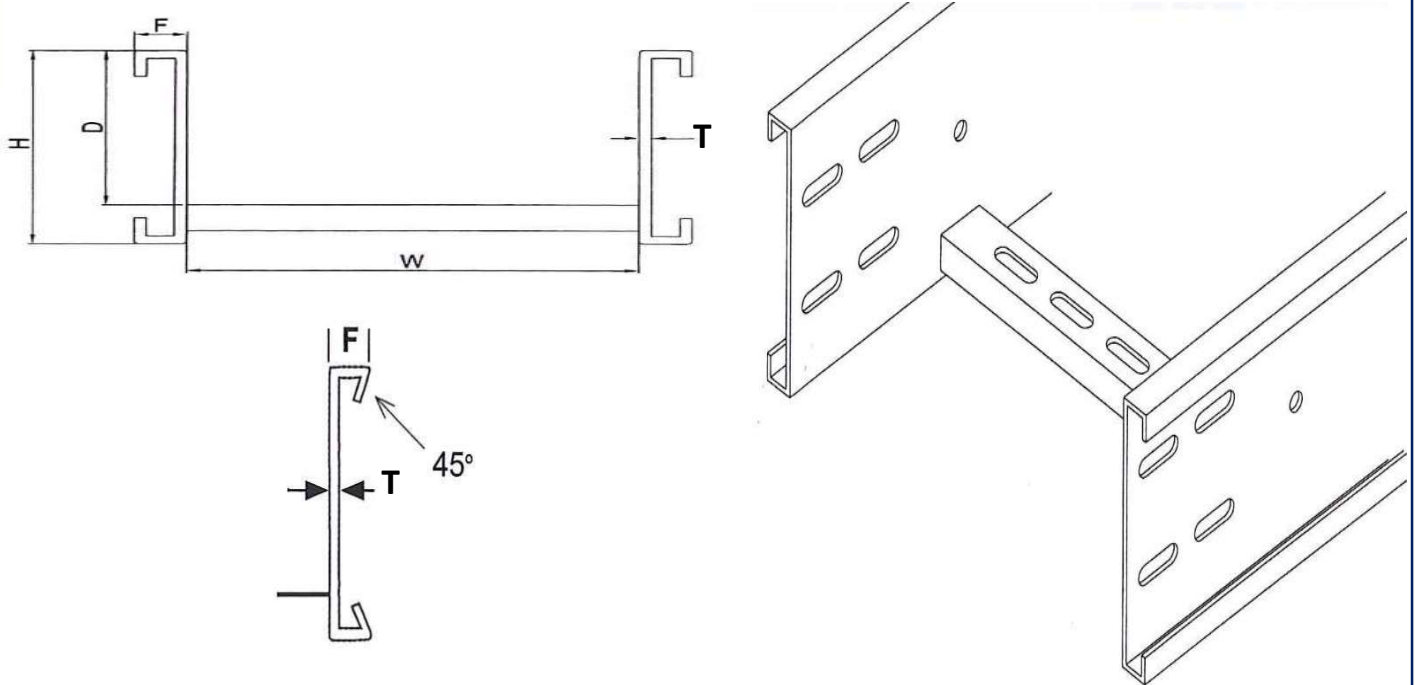
Thickness:  
1.5mm – 2mm



Ladder Height (H)	Depth (D)	Depth (D)	Depth (D)	Depth (D)	Depth (D)
75	54	50	56	53	50
100	79	75	81	78	75
125	104	100	106	103	100
150	129	125	131	128	125

**Customized Available, Please contact us for your requirements.**

## CABLE LADDER HEAVY DUTY (TYPE A)



H	Thickness	Width	Length
75 - 160	1.5 - 4	150 - 900	2440

\*Units in mm

## RUNG TYPE (CUSTOMIZED)

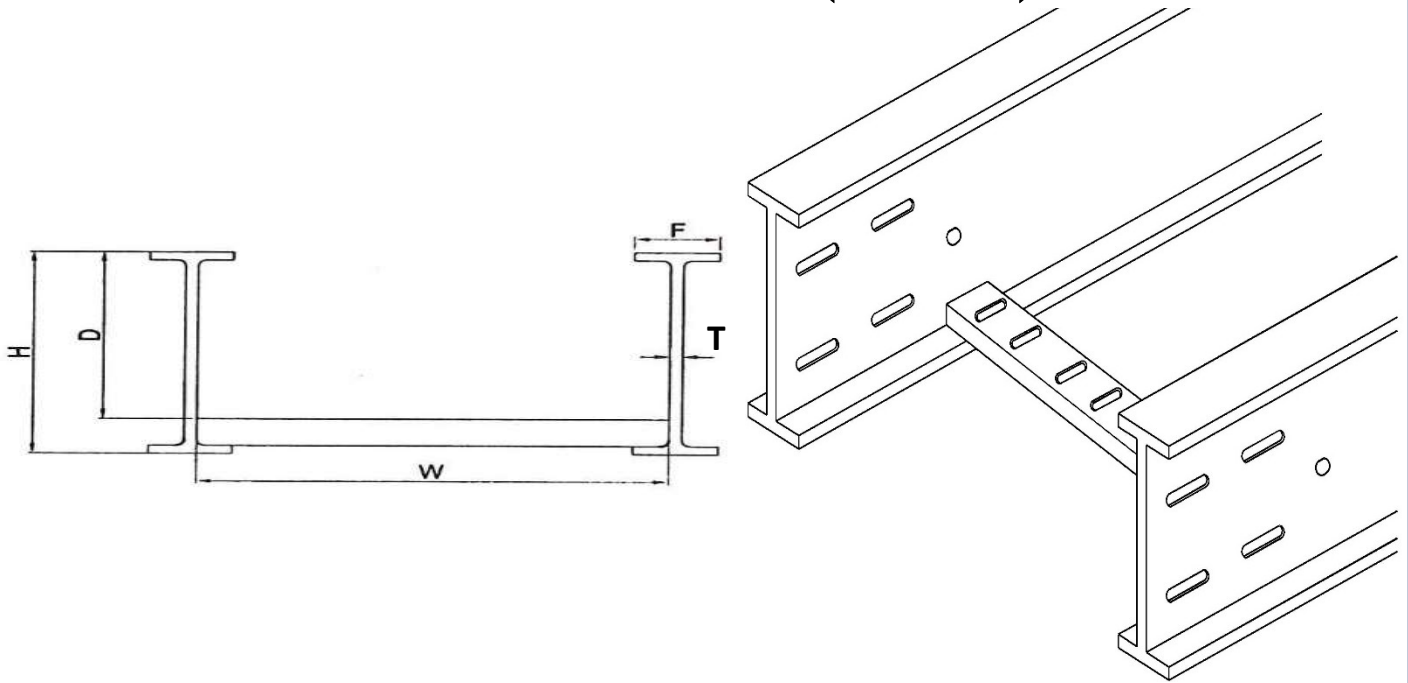
Rung Spacing:  
230 - 300mm

Thickness:  
1.5mm - 2mm

	1	2	3	4	5
Diagram					
Ladder Height (H)	Depth (D)	Depth (D)	Depth (D)	Depth (D)	Depth (D)
75	54	50	56	53	50
100	79	75	81	78	75
125	104	100	106	103	100
150	129	125	131	128	125
160	139	135	141	138	135

**Customized Available, Please contact us for your requirements.**

### CABLE LADDER HEAVY DUTY (TYPE B)



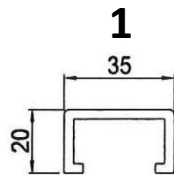
H	Thickness	Width	Length
150	2 - 3	150 - 900	2440

\*Units in mm

### RUNG TYPE (CUSTOMIZED)

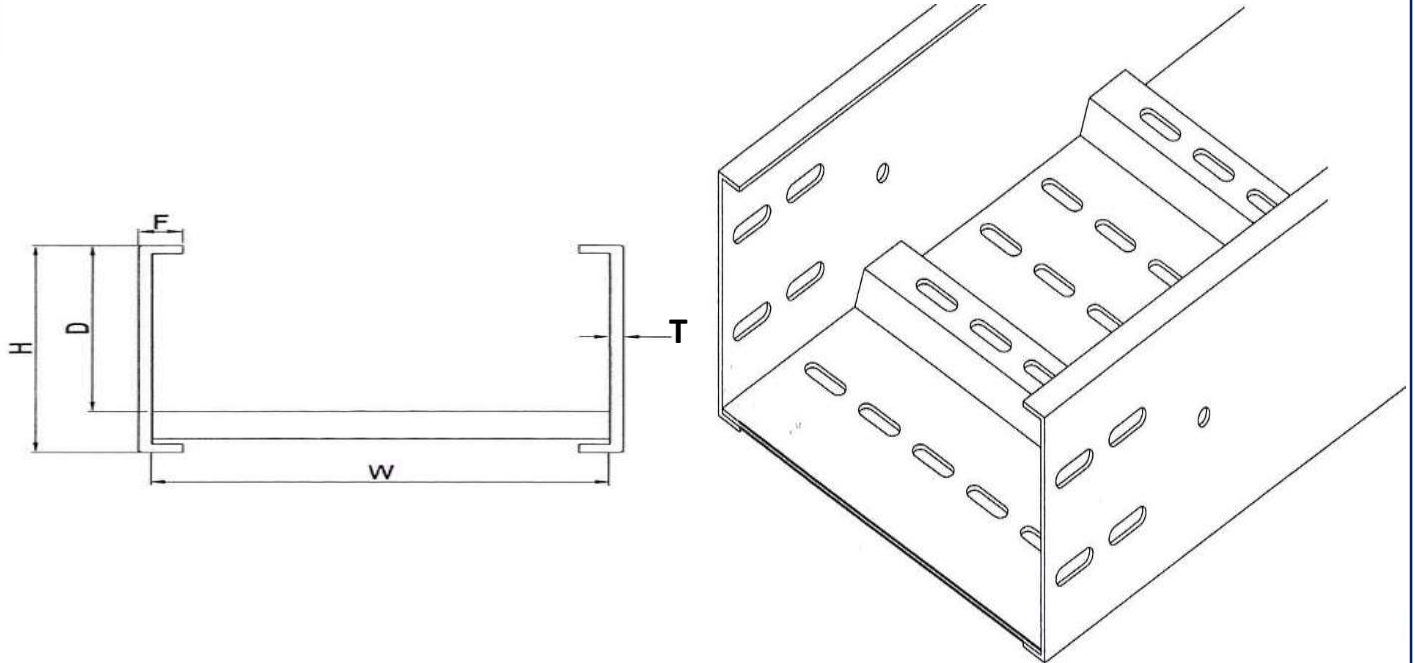
Rung Spacing: 230 – 300mm

Thickness: 1.5mm – 2mm



Ladder Height (H)	Depth (D)
75	50
100	75
125	100
150	125
160	135

### CABLE LADDER HEAVY DUTY (TYPE C)



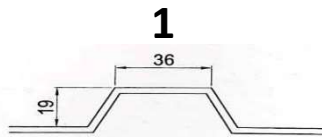
H	Thickness	Width	Length
100 - 150	2 - 3	150 – 900	2440

\*Units in mm

### RUNG TYPE (CUSTOMIZED)

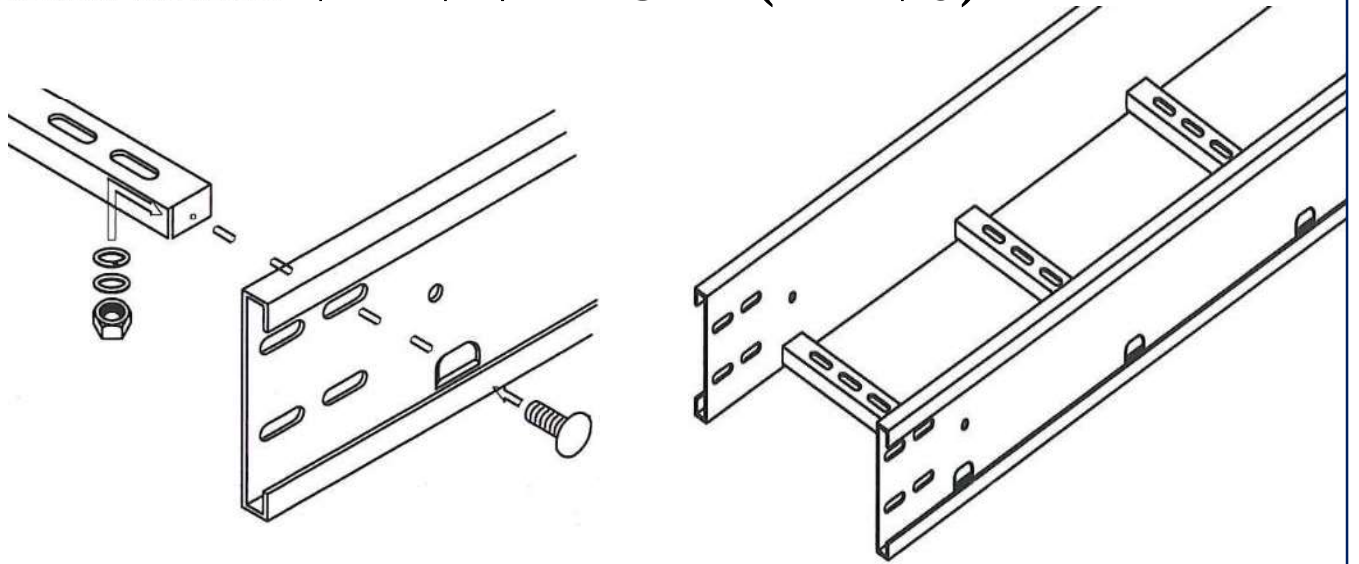
Rung Spacing: 300mm

Thickness: 1.5mm – 2mm



Ladder Height (H)	Depth (D)
100	78
125	103
150	128

### CABLE LADDER HEAVY DUTY (TYPE C)



H	Thickness	Width	Length
75 - 150	1.5 - 3	150 - 900	2440

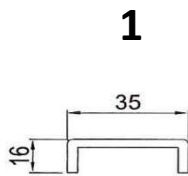
\*Units in mm

### RUNG TYPE (CUSTOMIZED)

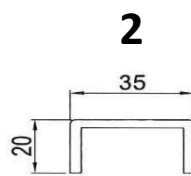
Rung Spacing:  
230 – 300mm

Thickness:  
1.5mm – 2mm

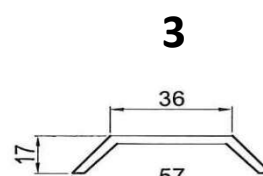
Ladder Height (H)  
75  
100  
125  
150



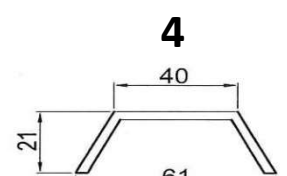
Depth (D)  
54  
79  
104  
129



Depth (D)  
50  
75  
100  
125

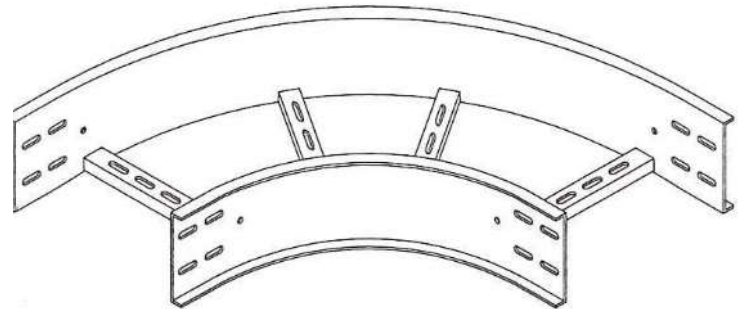
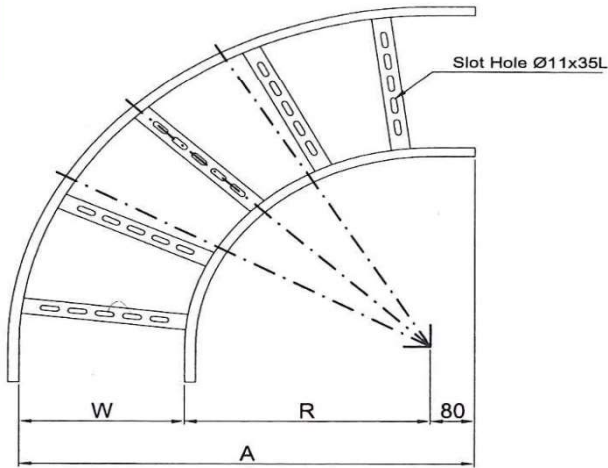


Depth (D)  
56  
81  
106  
131



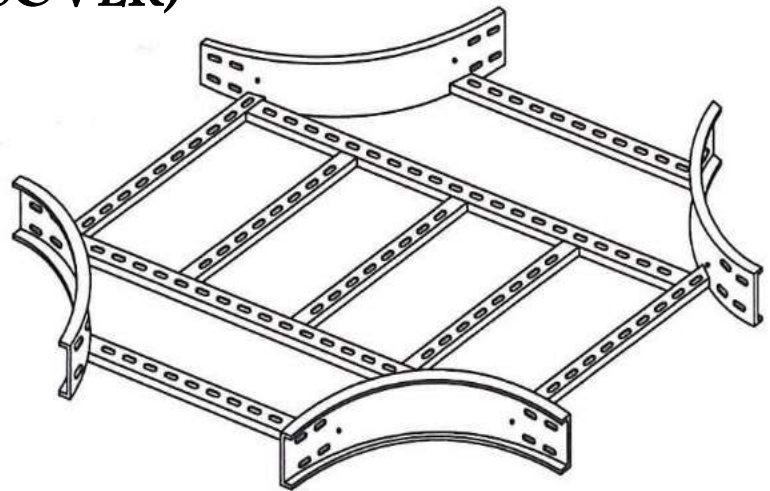
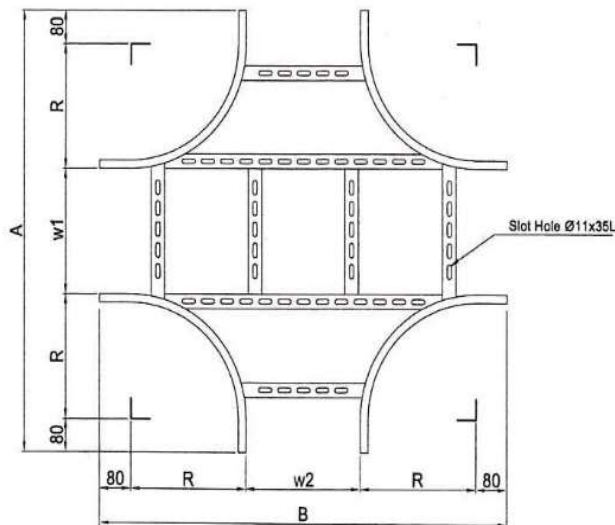
Depth (D)  
53  
78  
103  
128

### CABLE LADDER (HORIZONTAL ELBOW)



H	H	H	H	H	Width	RADIUS (R)	Degree
75	100	125	150	160	150 – 900	150 - 1200	30° - 90°

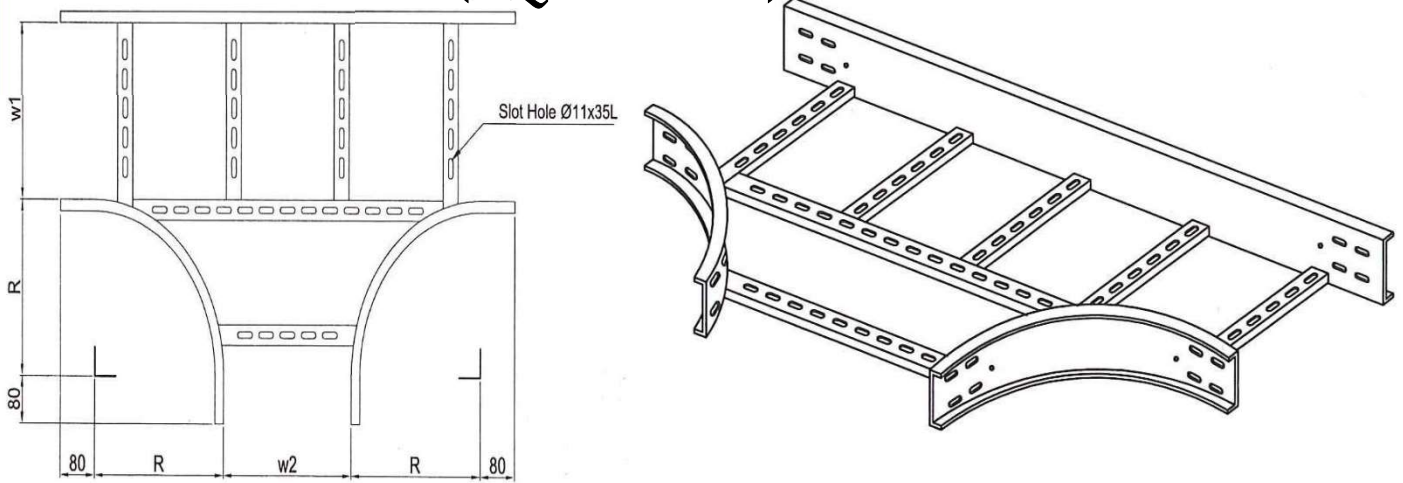
### CABLE LADDER (CROSSOVER)



H	H	H	H	H	Width 1	Width 2	RADIUS(R)
75	100	125	150	160	150 – 900	150 - 900	150 - 1200

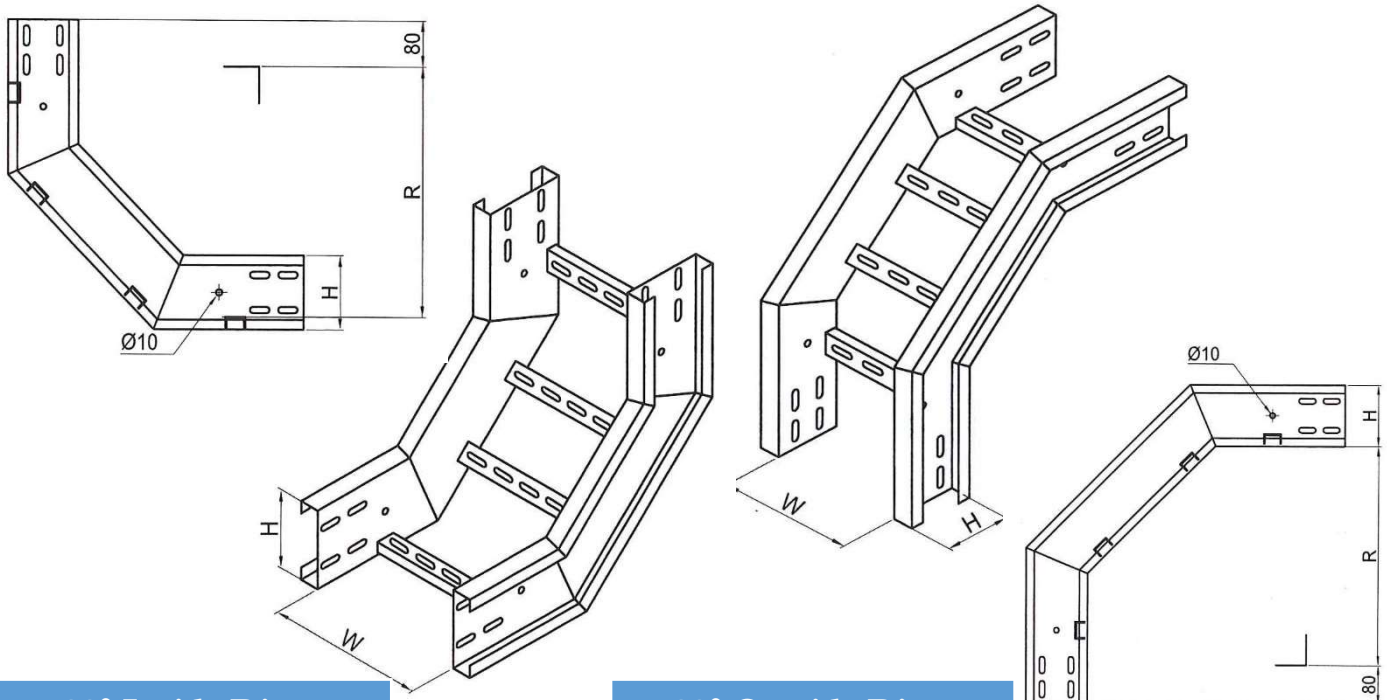
\*Units in mm

### CABLE LADDER (EQUAL TEE)



H	H	H	H	H	Width 1	Width 2	RADIUS(R)
75	100	125	150	160	150 - 900	150 - 900	150 - 1200

### CABLE LADDER (ANGLE RISER)



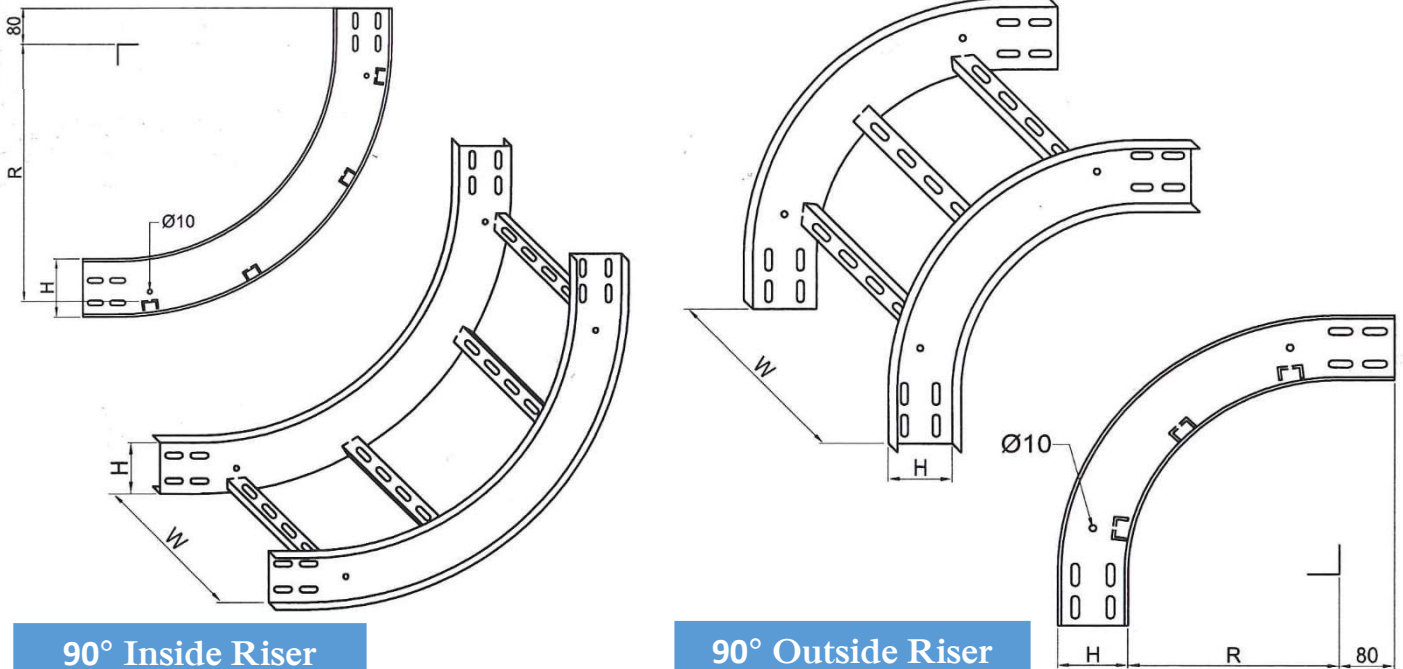
90° Inside Riser	
Height	Width
75 - 160	150 - 1000

90° Outside Riser	
Height	Width
75 - 160	150 - 1000

\*Units in mm

**Customized Available, Please contact us for your requirements.**

## CABLE LADDER (SWEEP TYPE RISER)



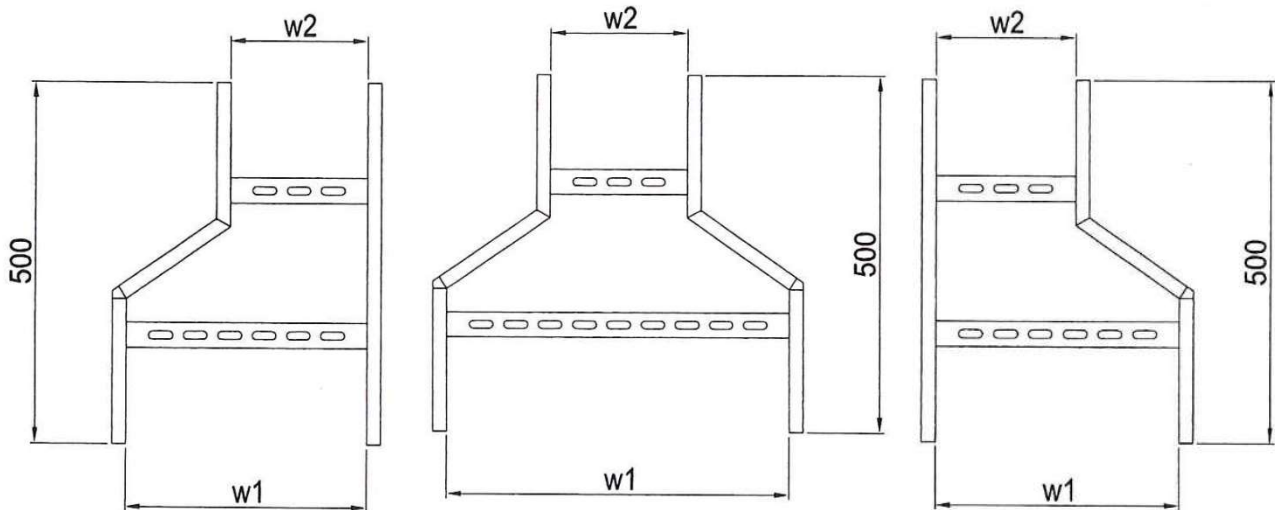
**90° Inside Riser**

Height	Width
75 - 160	150 - 900

**90° Outside Riser**

Height	Width
75 - 160	150 - 900

## CABLE LADDER (REDUCERS)



**Left / Concentric / Right Hand Reducers**

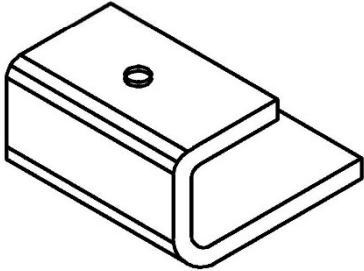
Height	Width 1	Width 2
75 - 160	300 - 750	150 - 600

\*Units in mm

**Customized Available, Please contact us for your requirements.**

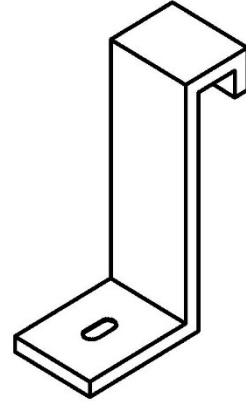
Ladder Cover Clip

1



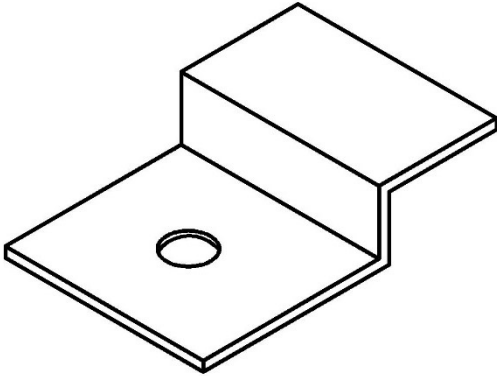
Ladder Hold Down Clamp

2



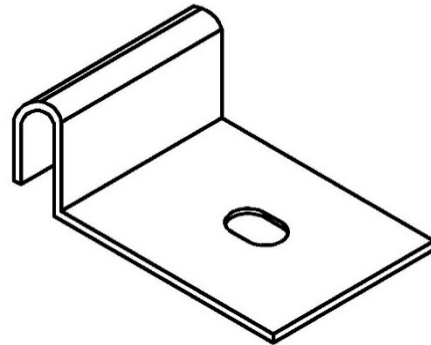
Ladder Hold Down Clip

3



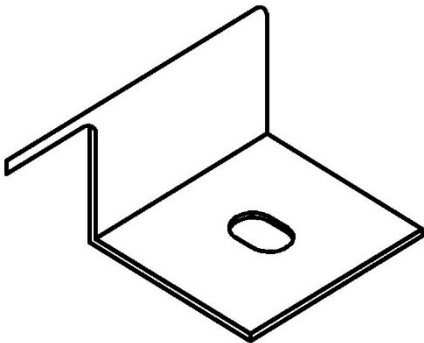
Ladder Hold Down U Clip

4



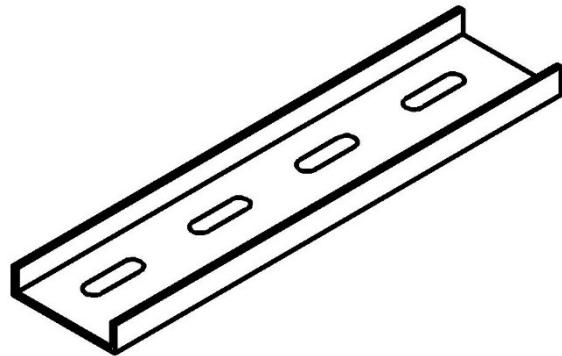
Ladder Hold Down V Clip Flanged Type

5



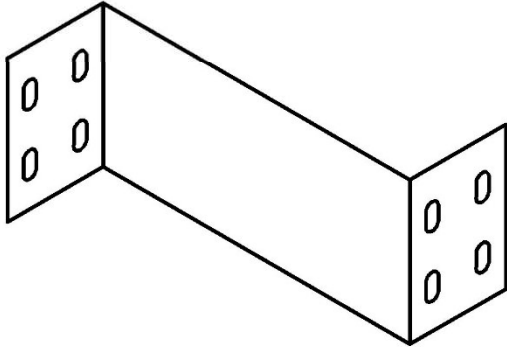
Straight Splice C Plate Flat Bar Type

6



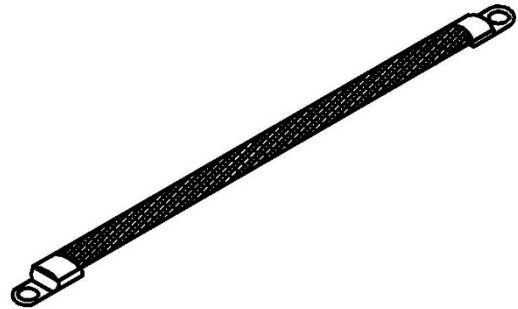
Cable Ladder Reducer Plate

7



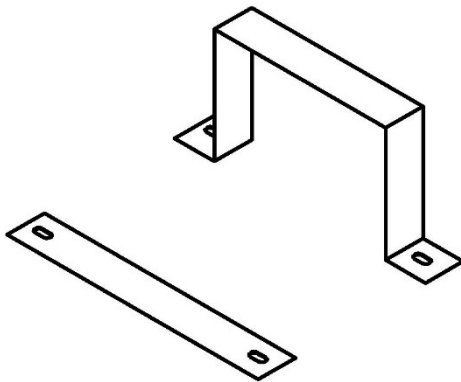
Earth Bonding Jumper Material –  
Wired Braided

8



Cable Ladder Clamp

9



Edge Protector - Rubber

10



Cable Tray Reducer Plate

11

