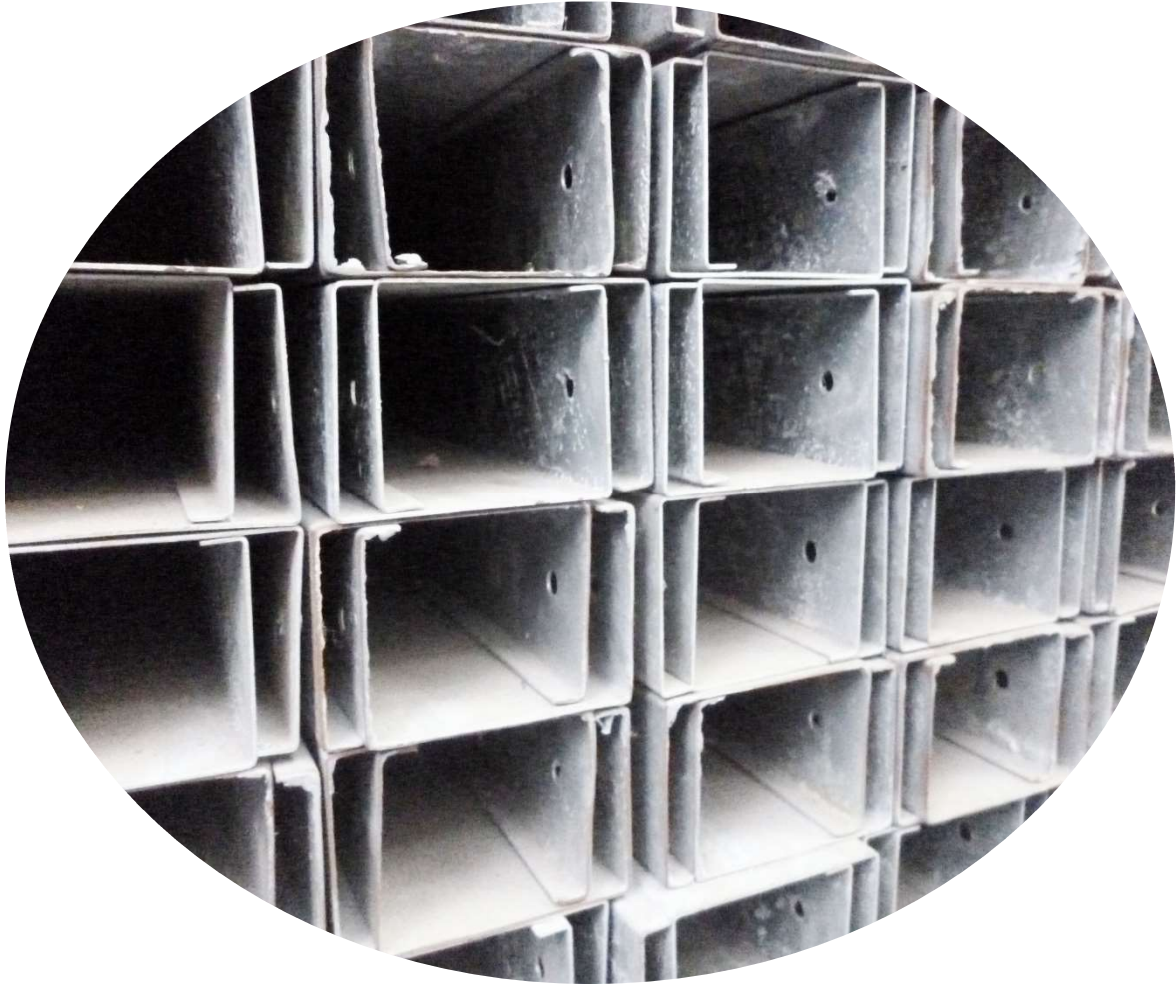


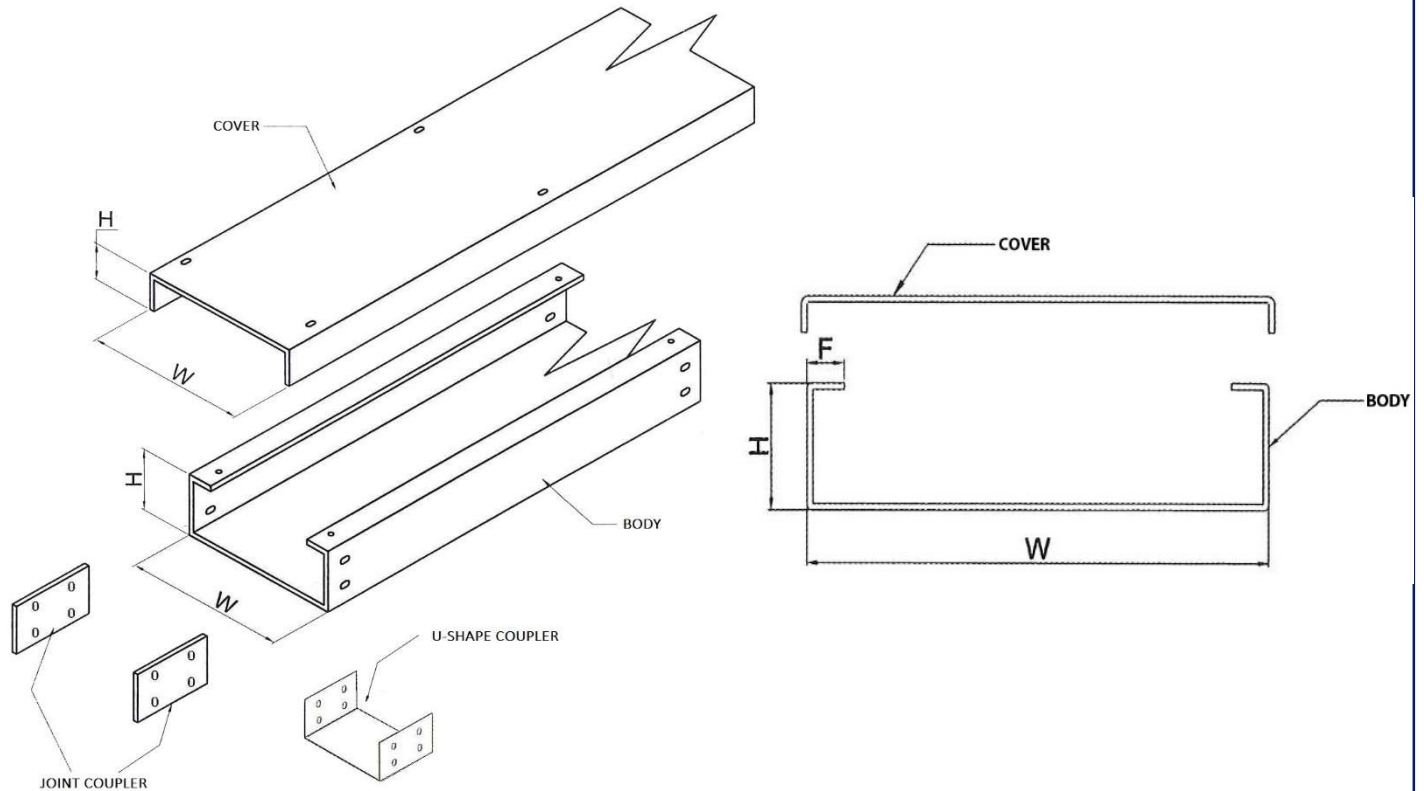
ST Unitech Metal Works

Designs and Manufactures of :



Cable Trunking

LIGHT DUTY CABLE TRUNKING



Product Measurements List

H	H	H	Thickness	Width	Length
25	50	100	1 - 2	50 - 900	2438

*Units in mm

Material

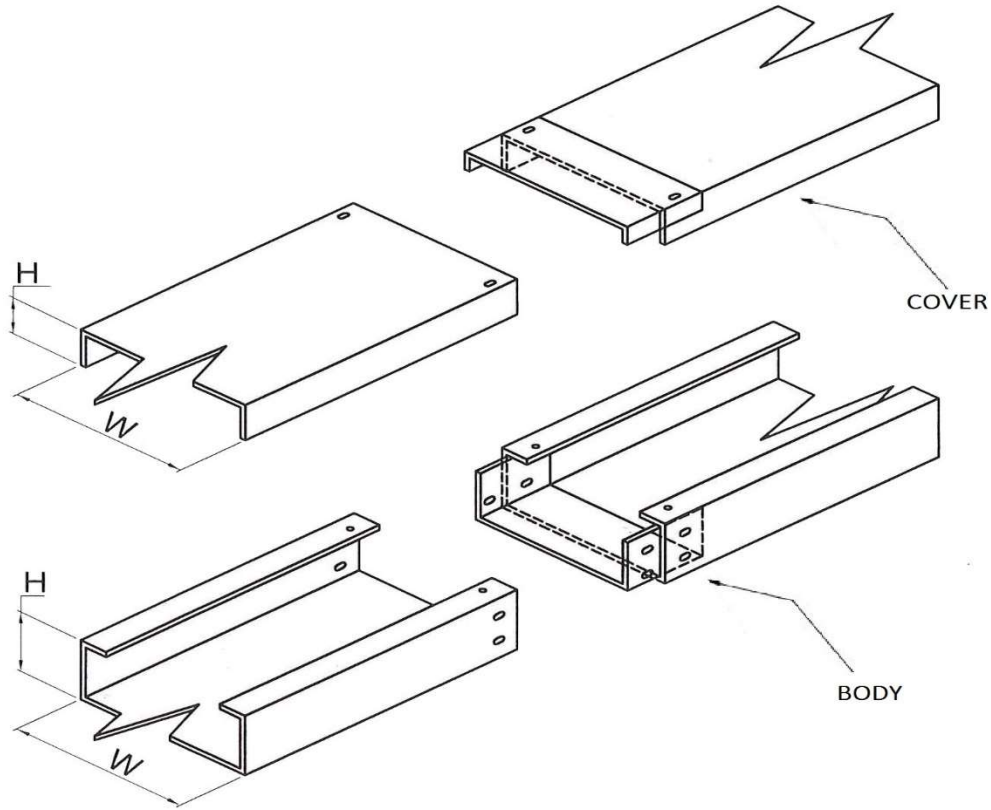
1. Electro-galvanised Steel to BS 1449 Part: 1:1983
2. Hot Roll Steel to JISG 3131 SPHC
3. Cold Roll Steel to JIS G3141
4. Stainless Steel AISI 304, 316 or 316L
5. Pre-Galvanised Steel

Finishing

1. Electro-galvanised steel with Epoxy Coatings
2. Hot Roll Steel with Hot-Dipped Galvanising to BS 729 or ASTM A123
3. Hot Roll Steel with Hot-Dipped Galvanising to ASTM A386-73 and Epoxy Coated
4. Hot-Dipped Galvanising to BS EN ISO1461:2009

Customized Available, Please contact us for your requirements.

HEAVY DUTY CABLE TRUNKING



Product Measurements List

H	H	H	H	H	Thickness	Width	Length
150	200	250	300	400	1.5 – 3.2	50 - 900	2438

*Units in mm